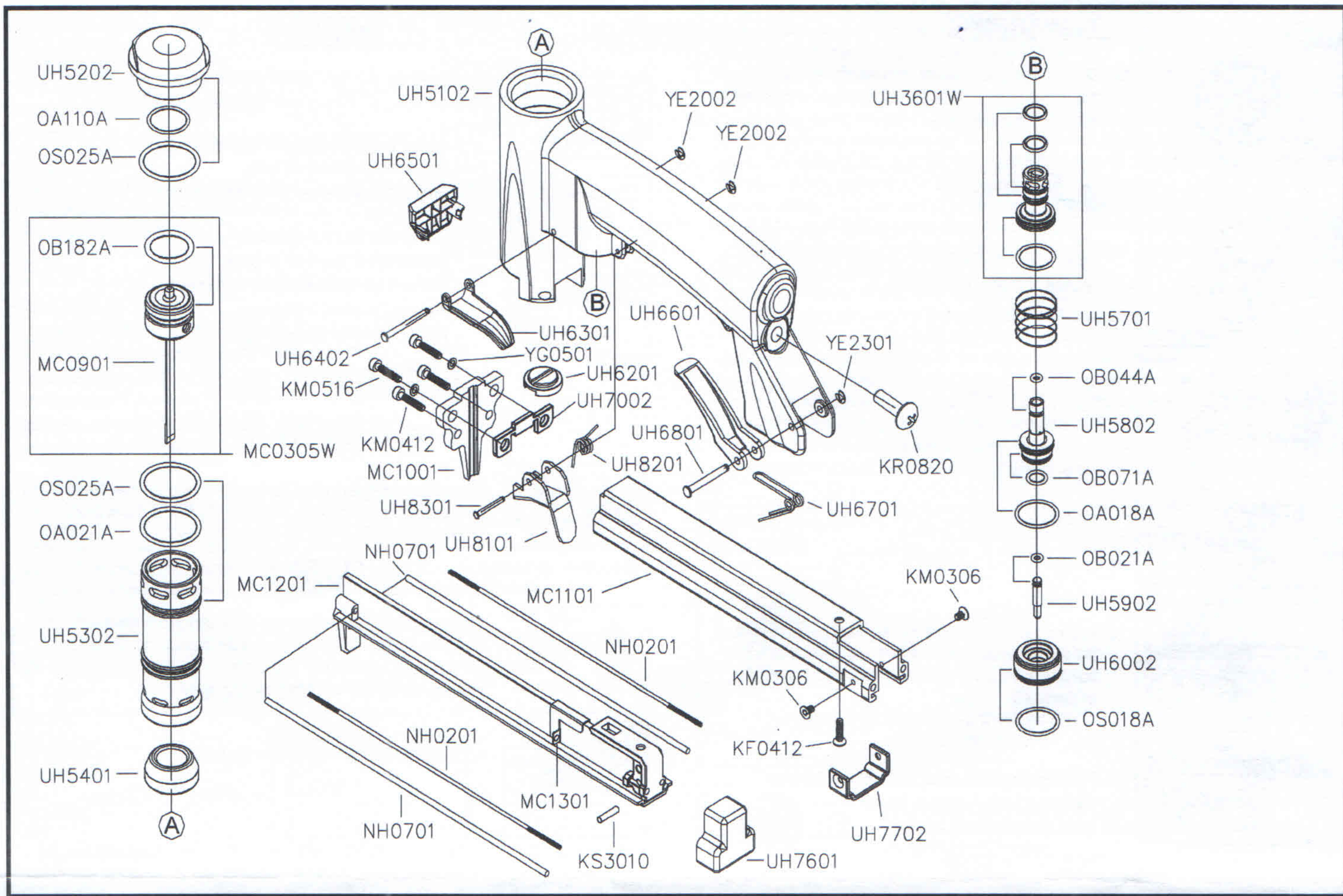


# SJK-16RA08 (MC/A1-08)

A



Part_No	Description	Spec	Q'ty	Part_No	Description	Spec	Q'ty	Part_No	Description	Spec	Q'ty
KF0412	FLAT HD.BOLT	M4×0.7 - 12L	1	OS025A	O-RING	S-25	2	UH8301	PIN		1
KM0306	HEX.SOC.HD.BOLT	M3×0.5 - 6L	2	UH3601W	TRIGGER VALVE SET		1	YE2002	E-RING	φ2.0	2
KM0412	HEX.SOC.HD.BOLT	M4×0.7 - 12L	2	UH5102	BODY		1	YE2301	E-RING	φ2.3	1
KM0516	HEX.SOC.HD.BOLT	M5×0.8 - 16L	2	UH5202	HAMMER CAP HAMMER		1	YG0501	SPRING WASHER	φ5	2
KR0820	BUTTON HD.BOLT	M8×1.25 - 20L	1	UH5302	CYLINDER		1				
KS3010	SPRING PIN	φ3-10L	1	UH5401	BUMPER		1				
MC0305W	DRIVER ASSY.		1	UH5701	TRIGGER VALVE SPRING		1				
MC0901	DRIVER SET		1	UH5802	PILOT VALVE BODY		1				
MC1001	COVER PLATE		1	UH5902	TRIGGER VALVE STEM		1				
MC1101	MAGAZINE SEAT		1	UH6002	TRIGGER VALVE GUIDE		1				
MC1201	MAGAZINE CAP		1	UH6201	SEAL		1				
MC1301	PUSHER		1	UH6301	TRIGGER		1				
NH0201	COMPRESSION SPRING		2	UH6402	PIN		1				
NH0701	BAR		2	UH6501	PLATE		1				
OA018A	O-RING	ARP568-018	1	UH6601	LATCH		1				
OA021A	O-RING	ARP568-021	1	UH6701	LATCH SPRING		1				
OA110A	O-RING	ARP568-110	1	UH6801	PIN		1				
OB021A	O-RING	1.8×1.2	1	UH7002	COVER PLATE(B)		1				
OB044A	O-RING	4.5×1.5	1	UH7601	REAR MAGAZINE BUMPER		1				
OB071A	O-RING	7×1	1	UH7702	MAGAZINE RETAINER		1				
OB182A	O-RING	18×2.5	1	UH8101	TRIGGER STOP		1				
OS018A	O-RING	S-18	1	UH8201	SPRING		1				

★☆☆ If you need to order parts, please mark both Parts No. and Description. ☆☆☆

2022/10/28