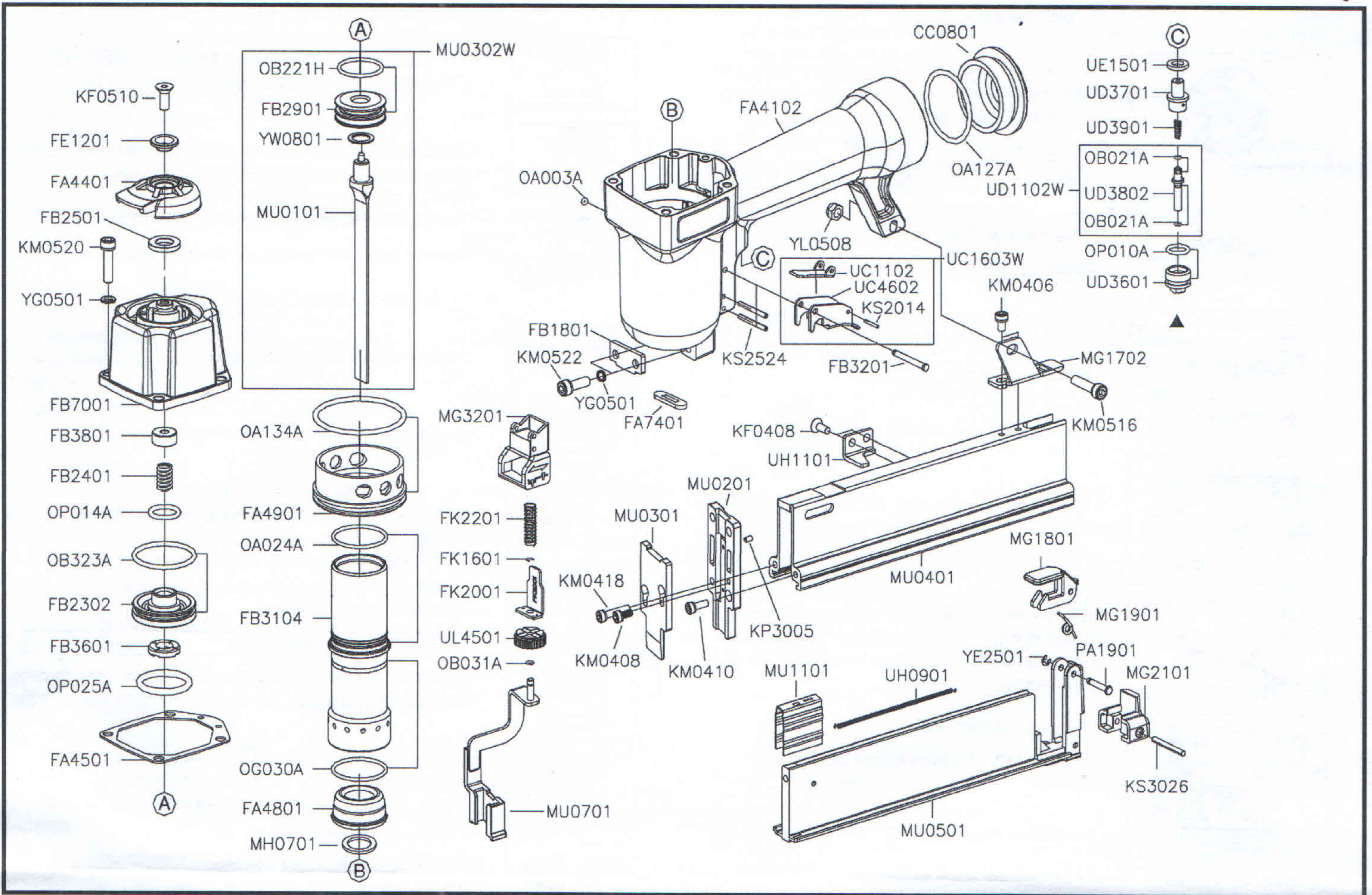


# N-40LB02 (MU/S1-02)

C



Part_No	Description	Spec	Q'ty	Part_No	Description	Spec	Q'ty	Part_No	Description	Spec	Q'ty
CC0801	END CAP		1	KM0418	HEX.SOC.HD.BOLT	M4x0.7-18L	1	OB021A	O-RING	1.8x1.2	2
FA4102	BODY		1	KM0516	HEX.SOC.HD.BOLT	M5x0.8-16L	1	OB031A	O-RING	3x1	1
FA4401	EXHAUST CAP		1	KM0520	HEX.SOC.HD.BOLT	M5x0.8-20L	4	OB221H	O-RING	21.5x3.0	1
FA4501	CAP SEAL		1	KM0522	HEX.SOC.HD.BOLT	M5x0.8-22L	2	OB323A	O-RING	31.8x2.4	1
FA4801	BUMPER		1	KP3005	PARALLEL PIN	∅ 3x5L	1	OG030A	O-RING	G30	1
FA4901	COLLAR		1	KS2014	SPRING PIN	∅ 2-14L	1	OP010A	O-RING	P10	1
FA7401	NOZZLE		1	KS2524	SPRING PIN	∅ 2.5-24L	2	OP014A	O-RING	P14	1
FB1801	COVER PLATE(A)		1	KS3026	SPRING PIN	∅ 3-26L	1	OP025A	O-RING	P25(1A)	1
FB2302	HEAD VALVE PISTON		1	MG1702	SUPPORT		1	PA1901	PIN		1
FB2401	COMPRESSION SPRING		1	MG1801	LATCH		1	UC1102	CONTACT LEVER		1
FB2501	PISTON STOP		1	MG1901	SPRING		1	UC1603W	TRIGGER ASSY.		1
FB2901	MAIN PISTON		1	MG2101	COVER		1	UC4602	TRIGGER		1
FB3104	CYLINDER		1	MG3201	SAFETY SET		1	UD1102W	TRIGGER VALVE ASSY.		1
FB3201	PIN		1	MH0701	SPACER		1	UD3601	TRIGGER VALVE GUIDE		1
FB3601	PISTON STOP		1	MU0101	DRIVER		1	UD3701	TRIGGER VALVE SEAT		1
FB3801	PISTON STOP		1	MU0201	GUIDE PLATE		1	UD3802	TRIGGER VALVE STEM		1
FB7001	CYLINDER CAP		1	MU0301	COVER PLATE(B)		1	UD3901	COMPRESSION SPRING		1
FE1201	EXHAUST CAP RING		1	MU0302W	DRIVER ASSY.		1	UE1501	SEAL		1
FK1601	C-RING		1	MU0401	MAGAZINE CAP		1	UH0901	PULL SPRING		1
FK2001	SAFETY		1	MU0501	MAGAZINE SEAT SET		1	UH1101	MAGAZINE RETAINER		1
FK2201	COMPRESSION SPRING		1	MU0701	CONTACT ARM		1	UL4501	ADJUSTING WHEEL		1
KF0408	FLAT HD.BOLT	M4x0.7-8L	2	MU1101	PUSHER		1	YE2501	E-RING	∅ 2.5	1
KF0510	FLAT HD.BOLT	M5x0.8-10L	1	OA003A	O-RING	ARP568-003	1	YG0501	SPRING WASHER	∅ 5	6
KM0406	HEX.SOC.HD.BOLT	M4x0.7-6L	2	OA024A	O-RING	ARP568-024	1	YL0508	LOCK NUT	M5x0.8	1
KM0408	HEX.SOC.HD.BOLT	M4x0.7-8L	1	OA127A	O-RING	ARP568-127	1	YW0801	FLAT WASHER	∅ 8,T=1.0mm	1
KM0410	HEX.SOC.HD.BOLT	M4x0.7-10L	1	OA134A	O-RING	ARP568-134	1				

★☆☆ If you need to order parts, please mark both Parts No. and Description. ☆☆☆