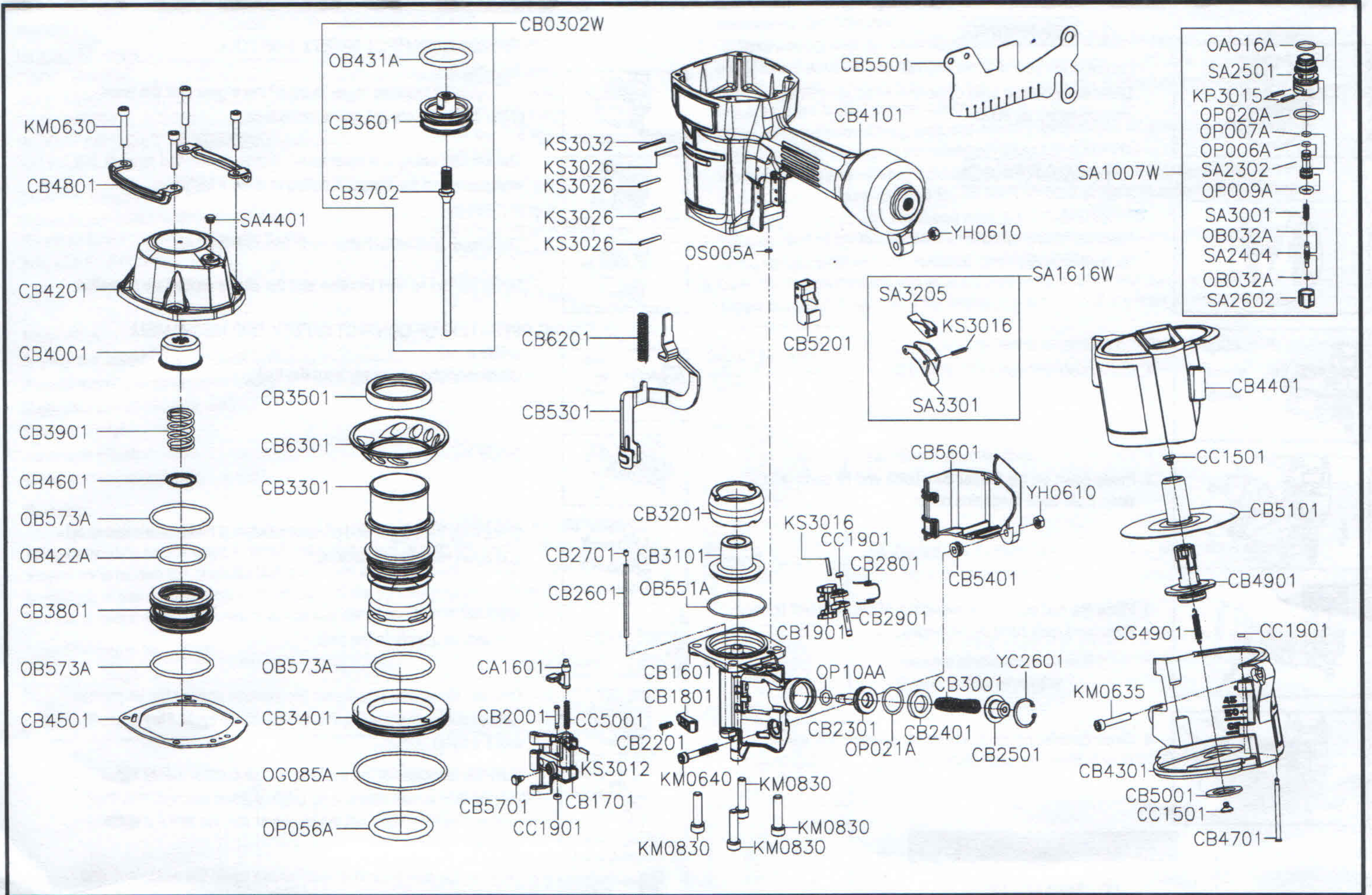


# C70PAFSB07 (CB/S1-07)

a



Part_No	Description	Spec	Q'ty	Part_No	Description	Spec	Q'ty	Part_No	Description	Spec	Q'ty
CA1601	DOOR LATCH		1	CB4501	CAP SEAL		1	OB032A	O-RING	2.5x1.4	2
CB0302W	DRIVER ASSY.		1	CB4601	TRIP COVER		1	OB422A	O-RING	41.6x3	1
CB1601	NOSE		1	CB4701	PIN		1	OB431A	O-RING	42.7x5	1
CB1701	DOOR		1	CB4801	RUBBER PLATE		2	OB551A	O-RING	55x1.5	1
CB1801	HOLDING PAWL		1	CB4901	MAGAZINE POST		1	OB573A	O-RING	56.5x3.1	3
CB1901	FEED PAWL		1	CB5001	C-RING		1	OG085A	O-RING	84.4x3.1	1
CB2001	PIN		1	CB5101	FIXED SEAT		1	OP006A	O-RING	P6	1
CB2201	COMPRESSION SPRING		1	CB5201	SAFETY GUIDE		1	OP007A	O-RING	P7	1
CB2301	FEED PISTON CAP		1	CB5301	SAFETY		1	OP009A	O-RING	P9	1
CB2401	PISTON BUMPER		1	CB5401	FIXED LUMP		1	OP020A	O-RING	P20	1
CB2501	FEED PISTON CAP		1	CB5501	DUST SHIELD		1	OP021A	O-RING	P21	1
CB2601	PIN		1	CB5601	TRIP COVER		1	OP056A	O-RING	55.6x5.7	1
CB2701	PIN CAP		1	CB5701	GROMMET		1	OP10AA	O-RING	P10A	1
CB2801	SPRING		1	CB6201	COMPRESSION SPRING		1	OS005A	O-RING	S-5	1
CB2901	PIN		1	CB6301	COLLAR		1	SA1007W	RESTRICTIVE TRIGGER ASSY.		1
CB3001	COMPRESSION SPRING		1	CC1501	SPRING RECEIVER		2	SA1616W	TRIGGER ASSY.		1
CB3101	BOTTOM BUMPER		1	CC1901	BUSHING		3	SA2302	PILOT VALVE		1
CB3201	TOP BUMPER		1	CC5001	COMPRESSION SPRING		1	SA2404	TRIGGER VALVE STEM		1
CB3301	CYLINDER		1	CG4901	PULL SPRING		1	SA2501	TRIGGER VALVE SEAT		1
CB3401	CYLINDER RING		1	KK0505	HEX.SOC.SET SCREW	M5x0.8-5L	1	SA2602	TRIGGER VALVE SEAT		1
CB3501	CYLINDER RING		1	KM0630	HEX.SOC.HD.BOLT	M6x1.0-30L	4	SA3001	COMPRESSION SPRING		1
CB3601	MAIN PISTON		1	KM0635	HEX.SOC.HD.BOLT	M6x1.0-35L	1	SA3205	CONTACT LEVER		1
CB3702	DRIVER		1	KM0640	HEX.SOC.HD.BOLT	M6x1.0-40L	1	SA3301	TRIGGER		1
CB3801	HEAD VALVE PISTON		1	KM0830	HEX.SOC.HD.BOLT	M8x1.25-30L	4	SA4401	GROMMET		1
CB3901	COMPRESSION SPRING		1	KP3015	PARALLEL PIN	φ 3x15L	2	YC2601	C-RING	φ 26	1
CB4001	PISTON STOP		1	KS3012	SPRING PIN	φ 3-12L	1	YH0610	LOCK NUT	M6x1.0	2
CB4101	BODY		1	KS3016	SPRING PIN	φ 3-16L	2				
CB4201	CYLINDER CAP		1	KS3026	SPRING PIN	φ 3-26L	4				
CB4301	CANISTER		1	KS3032	SPRING PIN	φ 3-32L	1				
CB4401	CANISTER COVER		1	OA016A	O-RING	ARP568-016	1				

★☆☆ If you need to order parts, please mark both Parts No. and Description. ☆☆☆